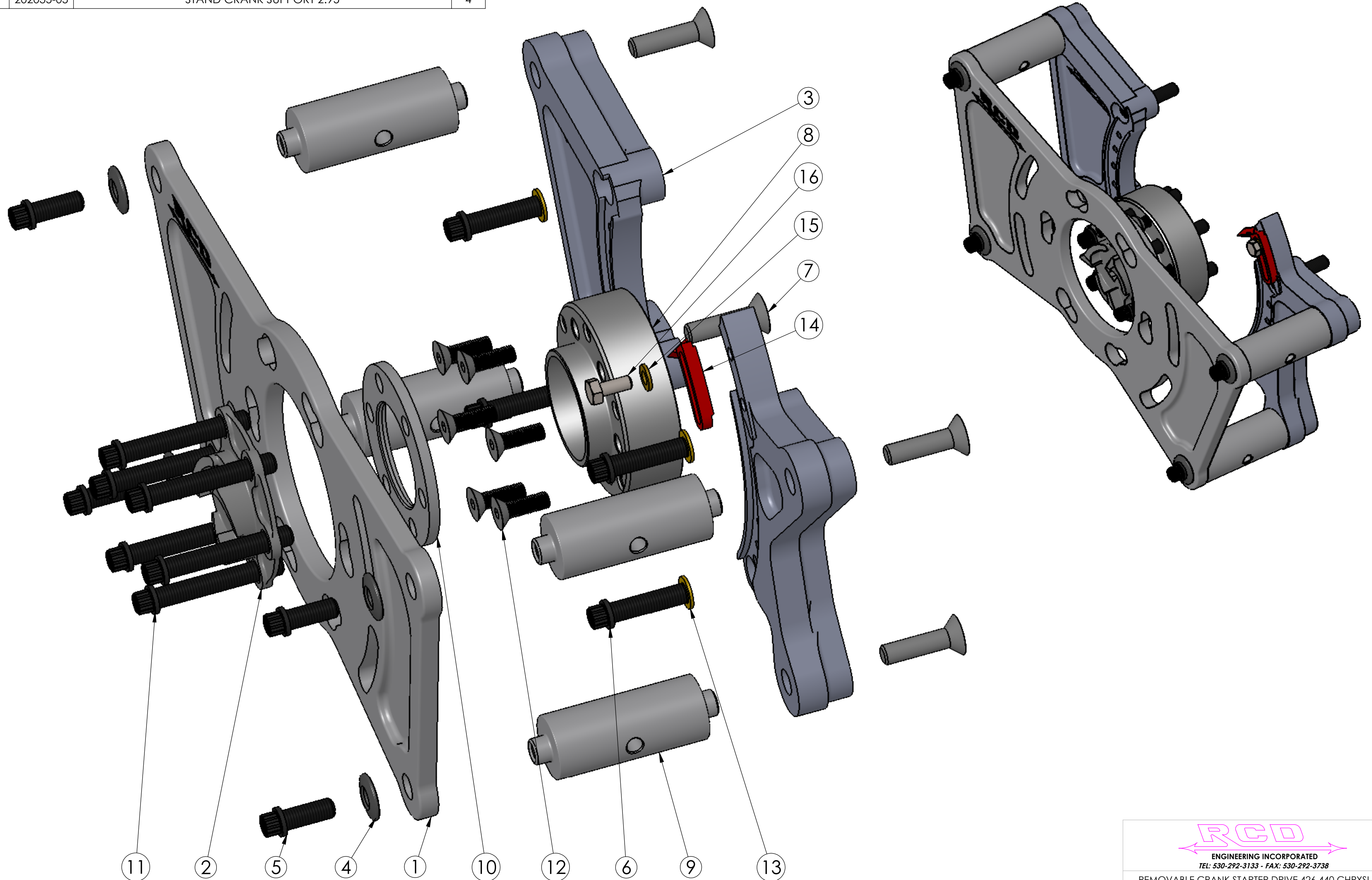


ITEM	PART #	DESCRIPTION	QTY.
1	101002-12	STARTER PLATE CRANK MOUNT REMOVABLE 6 INCH REV-A	1
2	101303-09	ENGINE JAW 6 HOLE	1
3	202007-05	426 CRANK TRIGGER BRACKETS WITH CRANK SUPPORT WINGS	1
4	352505-50	WASHER HT .38 ID .125 THICK .90 DIA	4
5	356337-16	3/8-16 X 1.0 12PT	4
6	356337-24	3/8-16 X 1.50 12PT	4
7	356937-24	3/8-16 x 1.5 FHCS	4
8	204203-01	ADPT CRANK HUB TO ATI DAMPER	1
9	202035-05	STAND CRANK SUPPORT 2.95	4

ITEM	PART #	DESCRIPTION	QTY.
10	101303-78	ENGINE JAW SPACER .21 BAE-DAMPER	1
11	356237-40	3/8-24 X 2.50 12PT	6
12	357231-16	FHCS-TORX 5/16-24 x 1.0	6
13	352503-06	3/8 AN WASHER	4
14	202022-20	POINTER RCD FRONT COVER ADJUSTABLE 14 DEG	1
15	352503-04	1/4 AN WASHER	1
16	357725-10	HHB 1/4-20 x .625	1



ENGINEERING INCORPORATED
 TEL: 530-292-3133 - FAX: 530-292-3738
 REMOVABLE CRANK STARTER DRIVE 426 440 CHRYSLER
 UNBLOWN